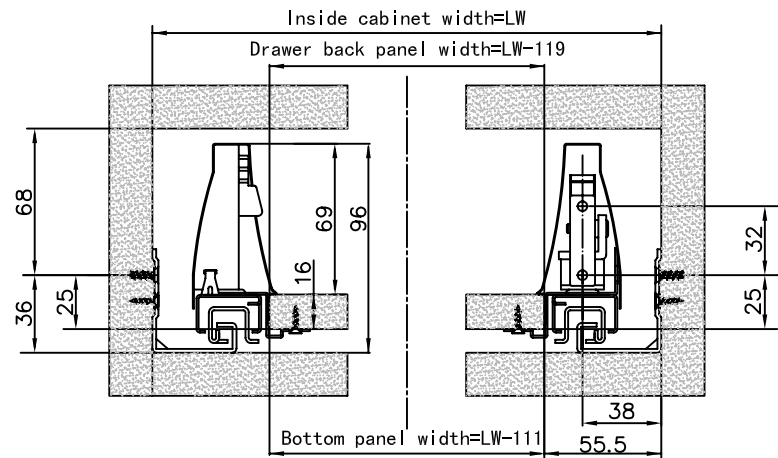
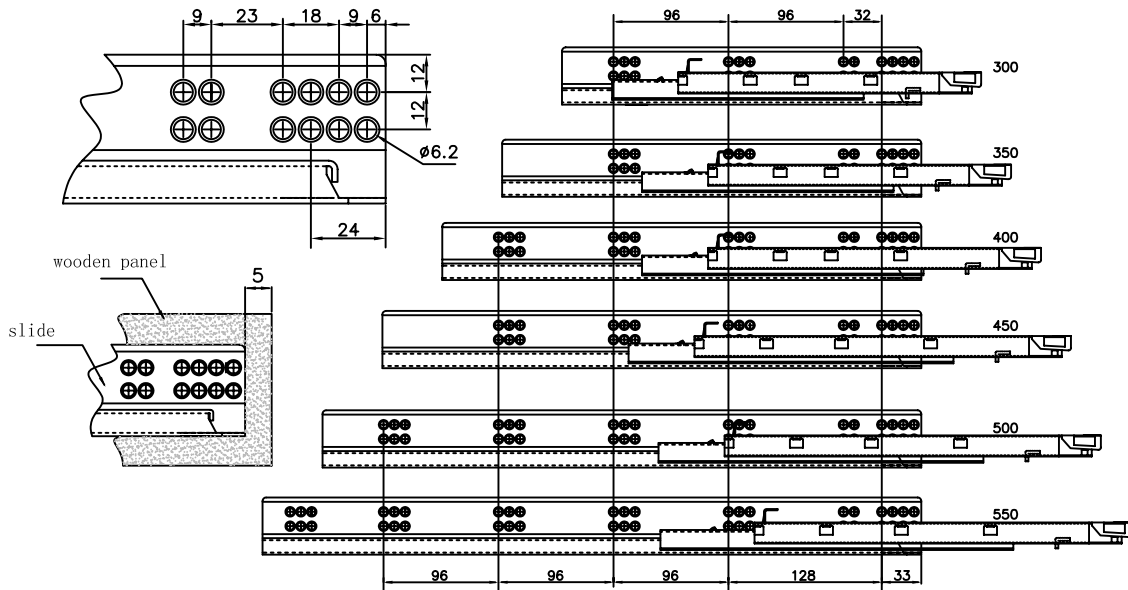
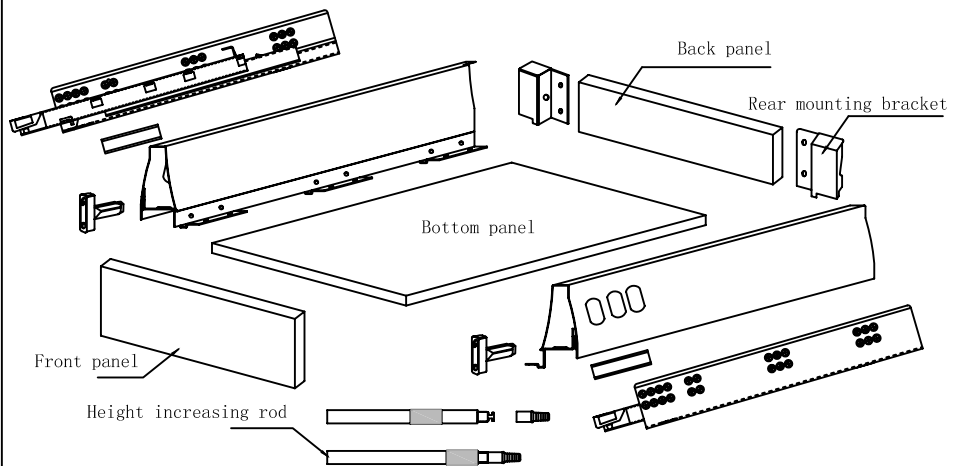
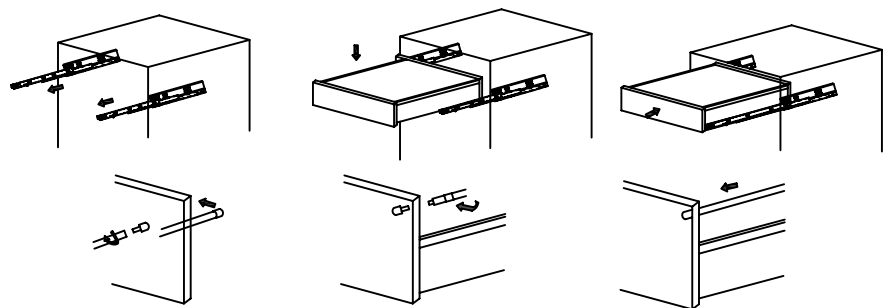
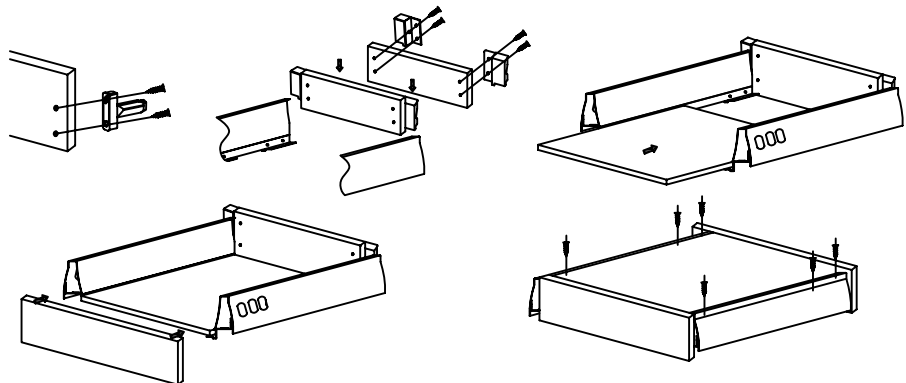


- (1) Drawer height:86mm
- (2) Load capacity:40 kgs
- (3) Application for different depth and width drawers
- (4) Size:12"-22"



Assembly note:;

- (a) Bottom panel width is nominal cabinet width minus 111mm.
- (b) Bottom panel length is nominal cabinet depth minus 18mm.
- (c) Back panel width is nominal cabinet width minus 119mm.
- (d) Be suitable for drawer panel thickness is 16mm.

